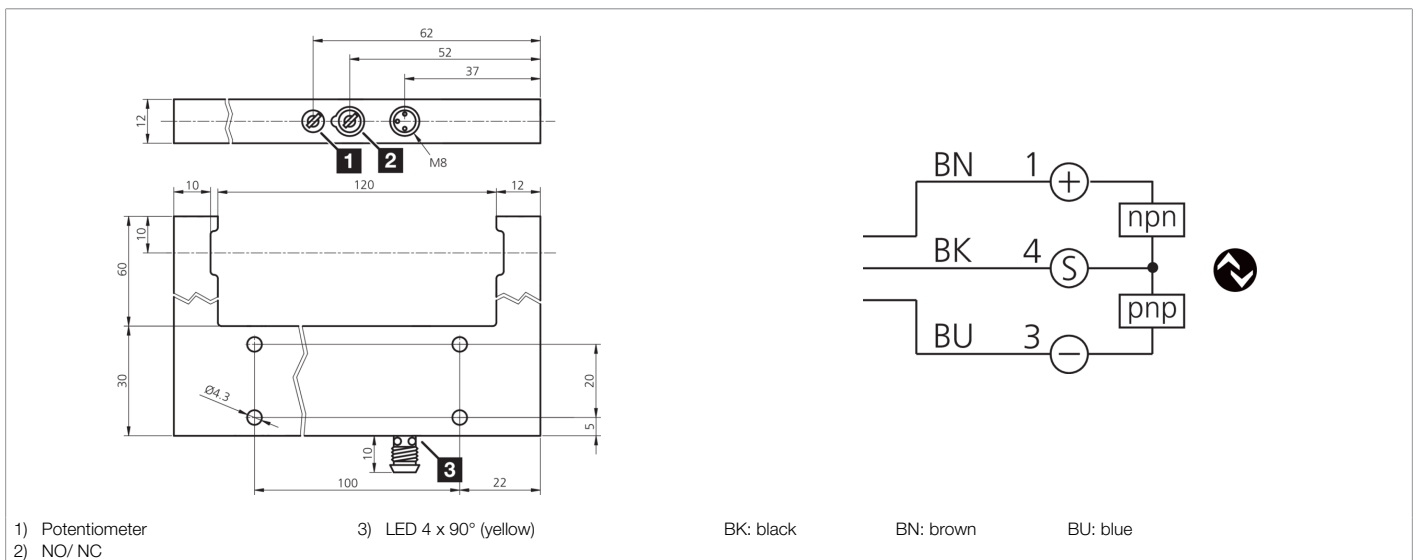




211046
OGUL 121 G3-T3
Laser fork light barrier

- Light/dark switching
- IO-Link
- 4 operating modes as an IO-Link parameter
- Switch-on/off delay as an IO-Link parameter
- Diagnostics with IO-Link
- Metal casing
- Electronics integrated
- Sensitivity is adjustable
- High switching frequency
- Bright ring LED



Function												

Technical data (typ.)	+20°C, 24 V DC
Service voltage	10 ... 30 V DC
No-load current (max.)	30 mA
Insulation voltage endurance	500 V
Leg length internal	60 mm
Housing dimensions	144 x 90 x 12 mm
Housing material	Die-cast zinc (Black, powder-coated)
Weight	244 g
Protection class	III, operation on protective low voltage
Operating principle	Optical
Evaluation	digital
Design	Fork
Operation modes	Standard, High resolution, Power, Speed
Switching output	Push-pull/PNP/NPN, 100 mA, NO/NC, switchable
Voltage drop (max.)	2,0 V
Interface	IO-Link
Light source	Laser
Laser class	1 (IEC 60825-1)
Color	red
Modulation	Clocked



211046
OGUL 121 G3-T3
Laser fork light barrier

Technical data (typ.)	+20°C, 24 V DC
Fork opening	120 mm
Resolution	Ø 0,1 mm, Ø 0,05 mm, Ø 0,15 mm, Ø 0,1 mm
Reproducibility	0,01 mm, 0,01 mm, 0.015 mm, 0.015 mm
Sensitivity adjustment	Potentiometer or IO-Link
Switching frequency	5.000 Hz / 2.000 Hz / 1.000 Hz / 10.000 Hz
Ambient temperature during operation	-25 ... +60 °C
Protection type	IP 67
Connection	Connector, M8, 3-pin
Connection cable	TK ...
More information / accessories	https://www.di-soric.com/211046