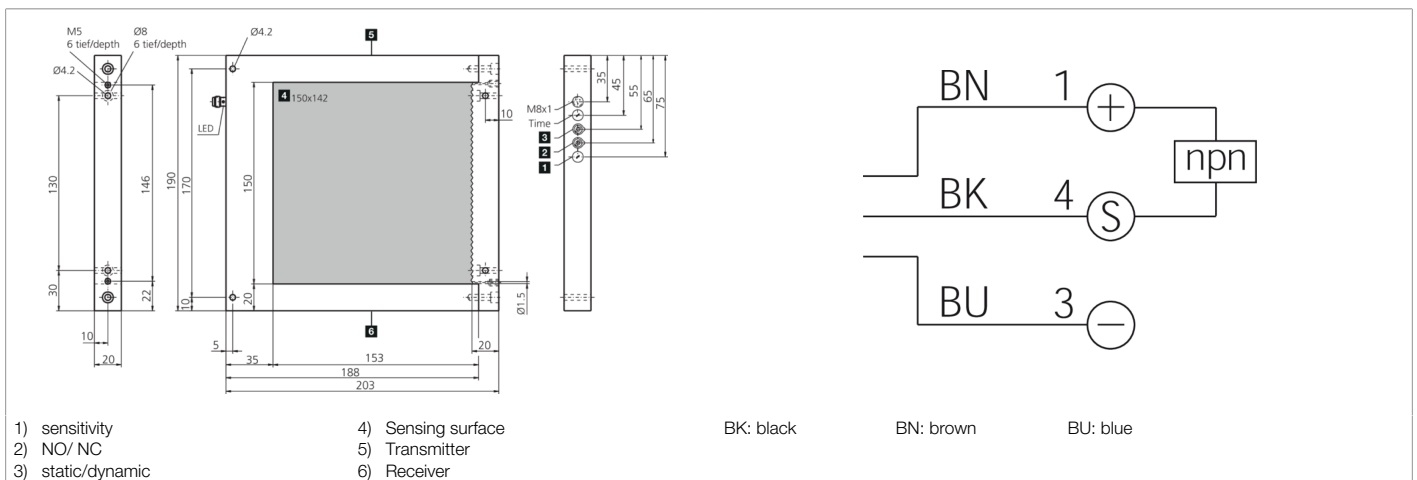




201404
OGWSD 150 N3K-TSSL
Frame light barrier

- Baffle protection at the optics
- Metal potentiometer
- Cross bar, removable
- Air nozzle for the optics
- NO/NC, switchable
- Variable operating principle: dynamic or static
- Sensitivity adjustment
- Pulse stretching adjustable
- High resolution
- Short activation time



Function										

Technical data (typ.)	+20°C, 24 V DC
Service voltage	18 ... 35 V DC
No-load current (max.)	45 mA
Insulation voltage endurance	500 V
Housing material	Aluminum (Black, Anodized)
Protection class	III, operation on protective low voltage
Operating principle	Dynamic/static switchable
Switching output	npn, 200 mA, NO/NC, switchable
Voltage drop (max.)	2,5 V
Pulse stretching	0,1 ... 150 ms adjustable
Light source	LED
Color	Infrared
Wavelength	940 nm
Modulation	Clocked
Ambient light immunity	20 kLx
Detection range	150 x 142 mm
Resolution	Ø 3,0 mm (dynamic), Ø 5,0 mm (static)
Sensitivity adjustment	Potentiometer
Activation time	0,10 ms
Release time	0,10 ... 150 ms
Ambient temperature during operation	0 ... +60 °C
Protection type	IP 67
Connection	Connector, M8, 3-pin



201404
OGWSD 150 N3K-TSSL
Frame light barrier

Technical data (typ.)

Connection cable

+20°C, 24 V DC

TK ...

More information / accessories

<https://www.di-soric.com/201404>