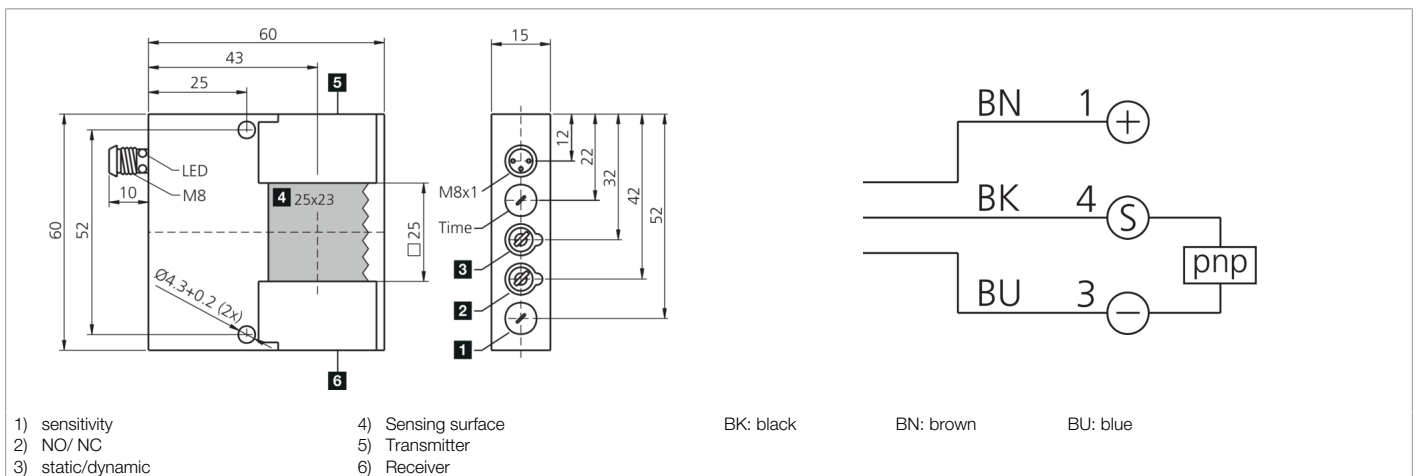
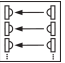





**201406**  
**OGWSD 25 P3K-TSSL**  
**Frame light barrier**

- Robust metal housing
- Metal potentiometer
- Cross bar, removable
- Easy to install
- NO/NC, switchable
- Variable operating principle: dynamic or static
- Sensitivity adjustment
- Pulse stretching adjustable
- High resolution
- Short activation time



Function												
												

Technical data (typ.)	+20°C, 24 V DC
Service voltage	10 ... 35 V DC
No-load current (max.)	25 mA
Insulation voltage endurance	500 V
Housing material	Aluminum (Black, Anodized)
Protection class	III, operation on protective low voltage
Operating principle	Dynamic/static switchable
Switching output	pnp, 200 mA, NO/NC, switchable
Voltage drop (max.)	2,5 V
Pulse stretching	0,1 ... 150 ms adjustable
Light source	LED
Color	Infrared
Wavelength	940 nm
Modulation	Clocked
Ambient light immunity	30 kLx
Detection range	25 x 23 mm
Resolution	Ø 0,7 mm (dynamic), Ø 1,0 mm (static)
Sensitivity adjustment	Potentiometer
Activation time	0,10 ms
Release time	0,10 ... 150 ms
Ambient temperature during operation	0 ... +60 °C
Protection type	IP 67
Connection	Connector, M8, 3-pin



**201406**  
**OGWSD 25 P3K-TSSL**  
**Frame light barrier**

**Technical data (typ.)**

Connection cable

**+20°C, 24 V DC**

TK ...

**More information / accessories**

<https://www.di-soric.com/201406>