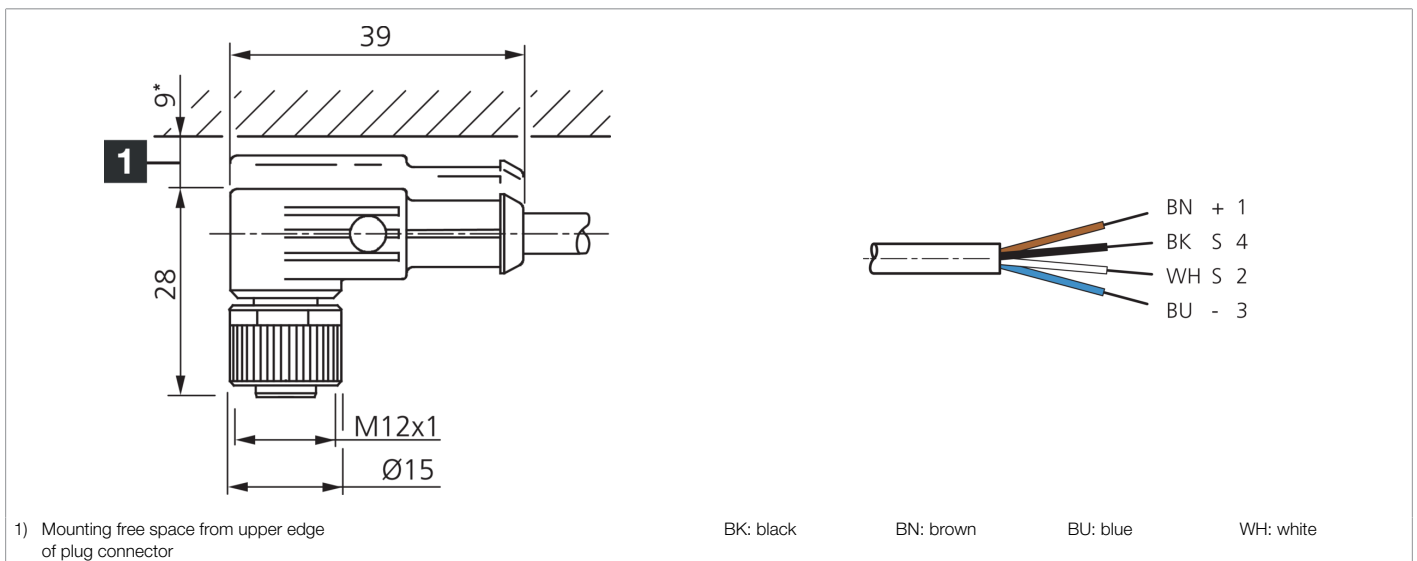




201854
VKHM-W-5/4
Connection cable

- Drag chain compatible
- Sturdy metal union nut
- Durable PU coating
- Flexible lead design
- Good stripping properties
- High protection type
- Gold-plated plug-in contacts



Function											
											

Technical data (typ.)	+20°C, 24 V DC
Service voltage	< 250 V AC/DC
Length	5.000 mm
Diameter	Ø 5,2 mm (Diameter)
Thread	M12
Material	<ul style="list-style-type: none"> ■ Polyurethane (Cable) ■ Polyurethane (Connector)
Drag chain properties	<ul style="list-style-type: none"> ■ > 2 Mio. (Bending cycles) ■ 80 mm (Min. bending radius)
Protection class	III, operation on protective low voltage
Design	Angled / open cable end
Characteristics	Metal nut
Drag chain compatible	Yes
LED Anzeige	no
Ambient temperature during operation	-5 ... +80 °C (Movable, Fixed)
Protection type	IP 67 (at tightening torque 0.6 Nm)
Connection	Socket, M12, 4-pin
Cross-section	0,34 x 0,34 mm (4 x)

More information / accessories	https://www.di-soric.com/201854
--------------------------------	---