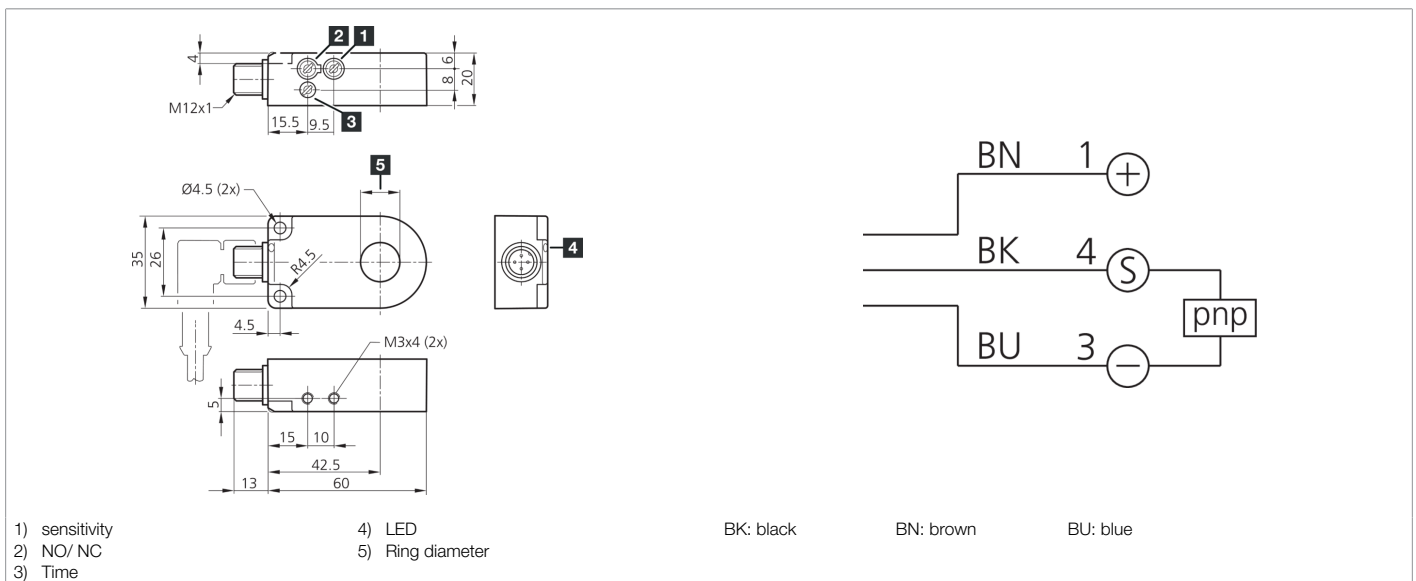






**202432**  
**IR 6 PSOK-IBS**  
**Inductive ring sensor**

- High resolution
- Short activation time
- Sensitivity and pulse stretching adjustable
- Resistant to dirt
- Static operating principle
- Metal connector
- High protection type



Function										
										 

Technical data (typ.)	+20°C, 24 V DC
Service voltage	10 ... 35 V DC (Supply Class 2)
No-load current (max.)	11 mA
Insulation voltage endurance	1.000 V
Internal diameter	6,1 mm
Assembly distance to metal (min.)	5 mm
Housing material	Plastic (PA)
Material	POM (Ring)
Protection class	III, operation on protective low voltage
Operating principle	Static
Switching output	pnp, 200 mA, NO/NC, switchable
Voltage drop (max.)	2,0 V
Pulse stretching	10 ... 150 ms adjustable
Resolution	Ø 1,0 mm
Sensitivity adjustment	Potentiometer
Speed of parts (max.)	35 m/s
Activation time	0,50 ms
Release time	10 ms
Ambient temperature during operation	-25 ... +70 °C
Protection type	IP 67



**202432**  
**IR 6 PSOK-IBS**  
**Inductive ring sensor**

**Technical data (typ.)**

**+20°C, 24 V DC**

Connection

Connector, M12, 4-pin

Connection cable

VK ...

**More information / accessories**

<https://www.di-soric.com/202432>