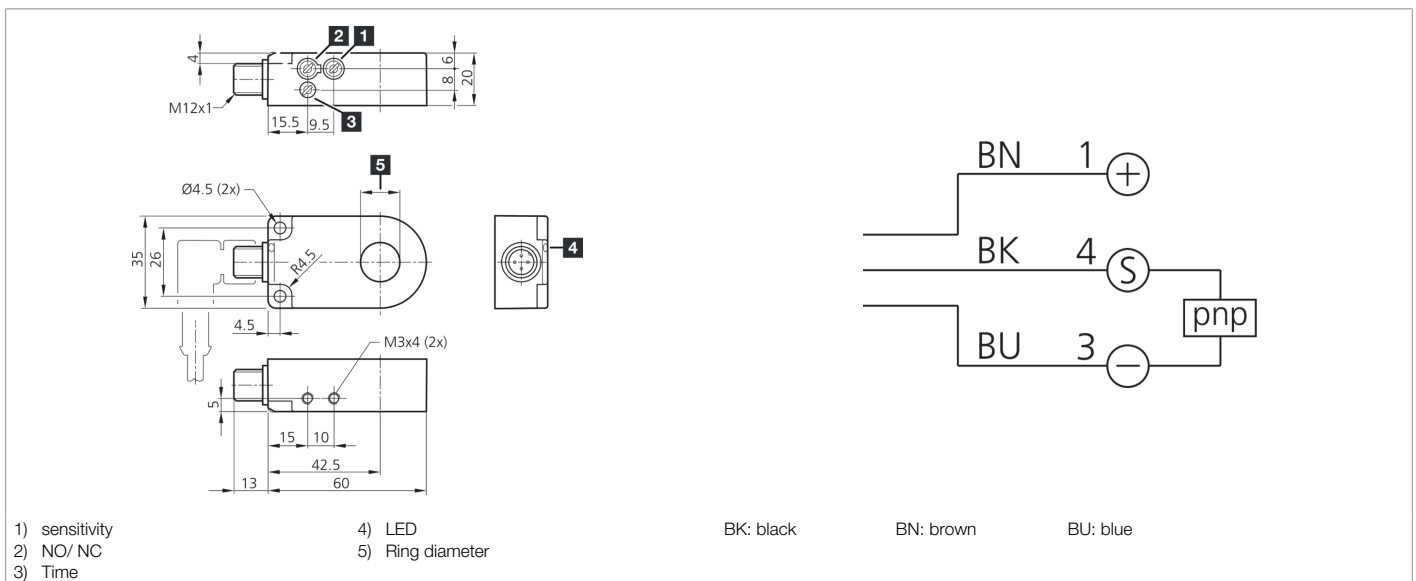





202434
IR 20 PSOK-IBS
Inductive ring sensor

- High resolution
- Short activation time
- Sensitivity and pulse stretching adjustable
- Resistant to dirt
- Static operating principle
- Metal connector
- High protection type



| Function | | | | | | | | | | |
|----------|--|--|--|--|--|--|--|--|--|---|
| | | | | | | | | | |   |

| Technical data (typ.) | +20°C, 24 V DC |
|--------------------------------------|--|
| Service voltage | 10 ... 35 V DC (Supply Class 2) |
| No-load current (max.) | 11 mA |
| Insulation voltage endurance | 1.000 V |
| Internal diameter | 20,1 mm |
| Assembly distance to metal (min.) | 10 mm |
| Housing material | Plastic (PA) |
| Material | POM (Ring) |
| Protection class | III, operation on protective low voltage |
| Operating principle | Static |
| Switching output | pnp, 200 mA, NO/NC, switchable |
| Voltage drop (max.) | 2,0 V |
| Pulse stretching | 10 ... 150 ms adjustable |
| Resolution | Ø 2,5 mm |
| Sensitivity adjustment | Potentiometer |
| Speed of parts (max.) | 35 m/s |
| Activation time | 0,50 ms |
| Release time | 10 ms |
| Ambient temperature during operation | -25 ... +70 °C |
| Protection type | IP 67 |



202434

IR 20 PSOK-IBS

Inductive ring sensor

Technical data (typ.)

+20°C, 24 V DC

Connection

Connector, M12, 4-pin

Connection cable

VK ...

More information / accessories

<https://www.di-soric.com/202434>