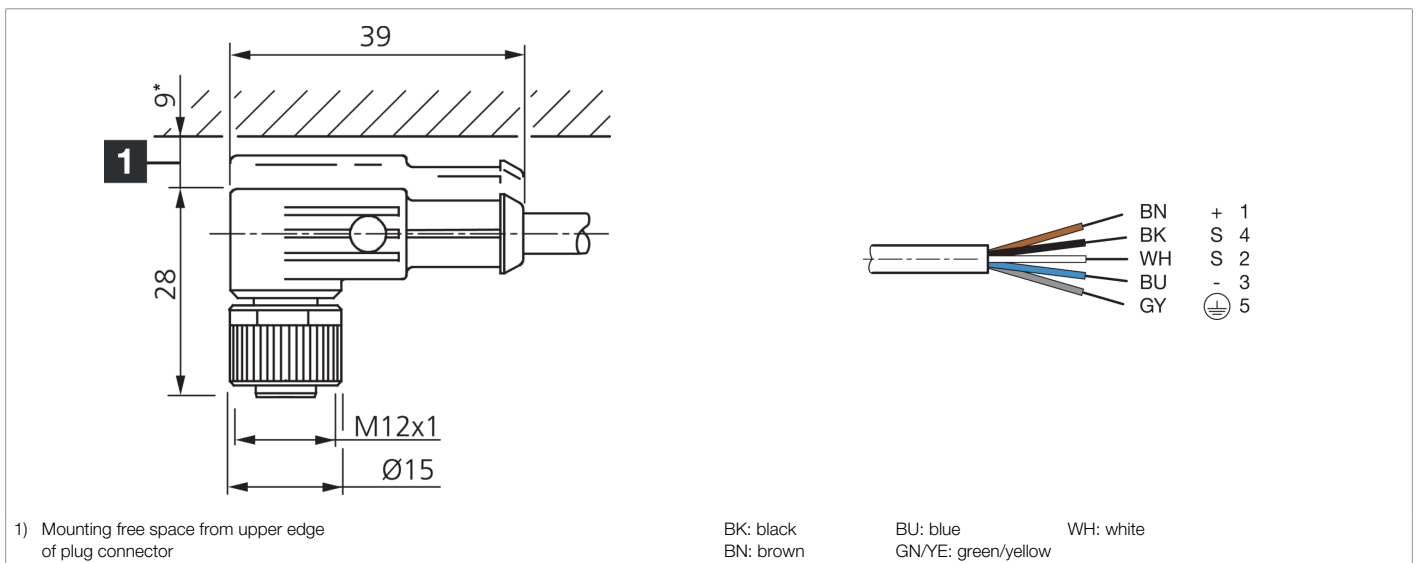




**202648**  
**VKHM-W-5/5**  
**Connection cable**

- Drag chain compatible
- Sturdy metal union nut
- Durable PU coating
- Flexible lead design
- Good stripping properties
- High protection type
- Gold-plated plug-in contacts



Function													

Technical data (typ.)	+20°C, 24 V DC
Service voltage	< 125 V AC/DC
Length	5.000 mm
Diameter	Ø 5,9 mm (Diameter)
Thread	M12
Material	<ul style="list-style-type: none"> <li>■ Polyurethane (Cable)</li> <li>■ Polyurethane (Connector)</li> </ul>
Drag chain properties	<ul style="list-style-type: none"> <li>■ &gt; 2 Mio. (Bending cycles)</li> <li>■ 90 mm (Min. bending radius)</li> </ul>
Protection class	III, operation on protective low voltage
Design	Angled / open cable end
Characteristics	Metal nut
Drag chain compatible	Yes
LED Anzeige	no
Ambient temperature during operation	-5 ... +80 °C (Movable, Fixed)
Protection type	IP 67 (at tightening torque 0.6 Nm)
Connection	Socket, M12, 5-pin
Cross-section	0,34 x 0,34 mm (5 x)

More information / accessories	<a href="https://www.di-soric.com/202648">https://www.di-soric.com/202648</a>
--------------------------------	---