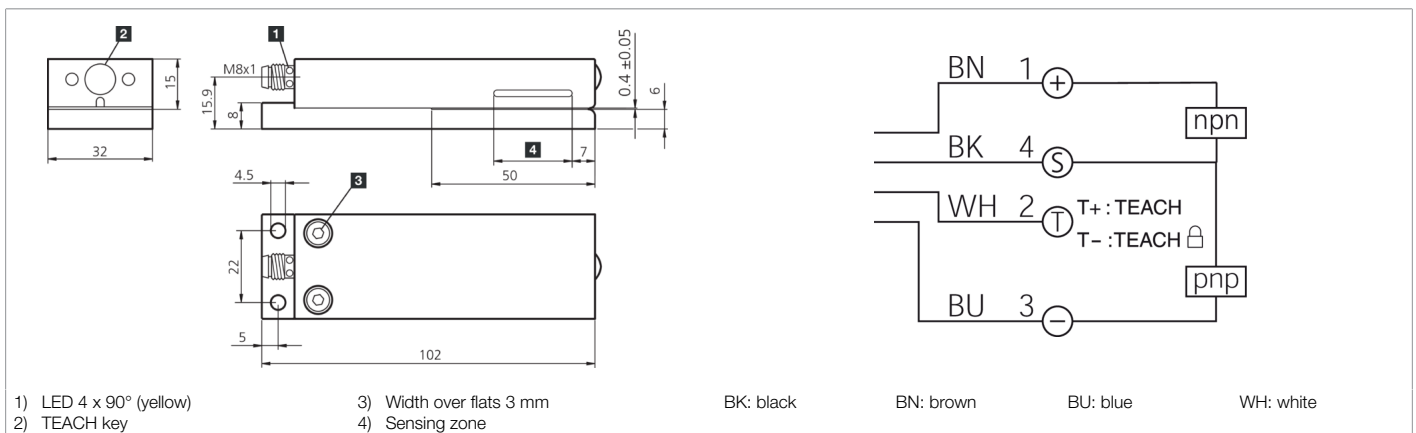




202883
KSSTI 400 FG3K-TSSL
Capacitive label sensor

- Sensitivity adjustment via teach key
- Auto-teach during a running process
- Remote teach option with key-lock function
- Temperature and air humidity compensation
- Static functional principle
- Separated housing



| Function | | | | | | | | | | |
|----------|--|--|--|--|--|--|--|--|--|--|
| | | | | | | | | | | |

| Technical data (typ.) | +20°C, 24 V DC |
|--------------------------------------|--|
| Service voltage | 10 ... 35 V DC |
| No-load current (max.) | 70 mA |
| Insulation voltage endurance | 500 V |
| Leg length internal | 50 mm |
| Housing dimensions | 32 x 15 x 102 mm |
| Housing material | Aluminum (Black, Anodized) |
| Protection class | III, operation on protective low voltage |
| Operating principle | Capacitive |
| Switching output | Push-pull, 200 mA, NO/NC, switchable |
| Voltage drop (max.) | 2,5 V |
| Fork opening | 0,4 mm |
| Switching hysteresis (max.) | material-dependent |
| Label length | > 2 mm |
| Label interspace | > 2 mm |
| Label thickness | < 0,3 mm |
| Sensitivity adjustment | Teach button, Remote teach |
| Band speed (max.) | 500 m/min |
| Readiness delay (max.) | 150 ms |
| Ambient temperature during operation | 0 ... +60 °C |
| Protection type | IP 65 |
| Connection | Connector, M8, 4-pin |
| Connection cable | TK ... /4 |

More information / accessories <https://www.di-soric.com/202883>