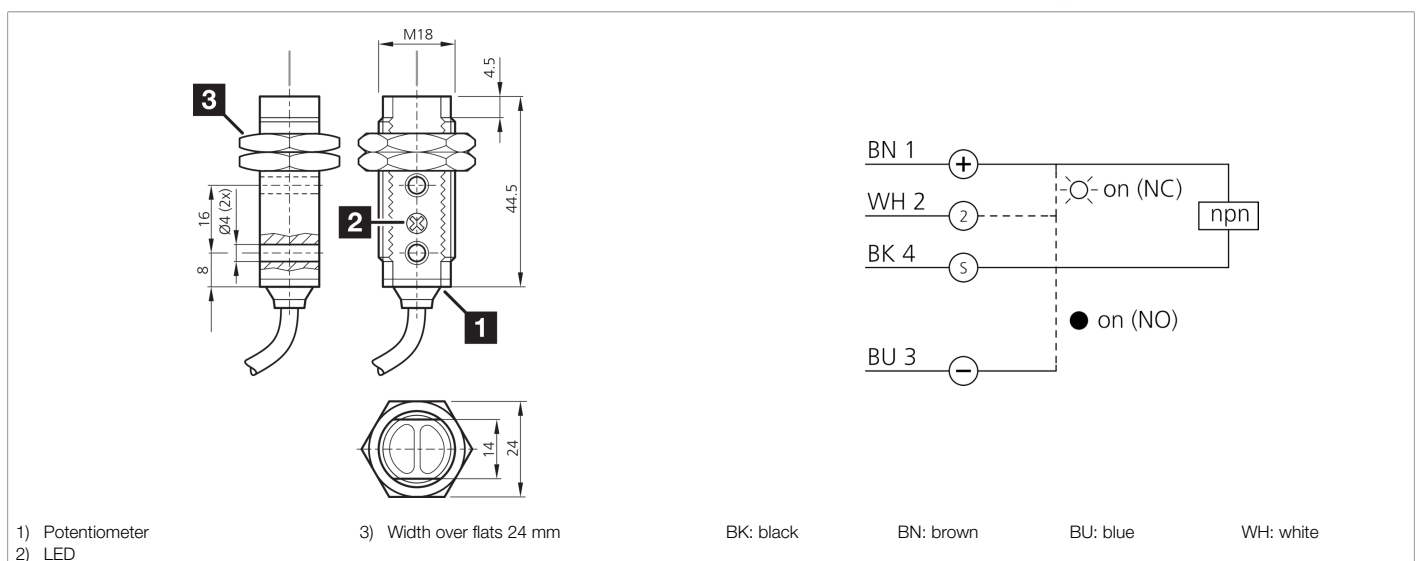




207939
OT 18 FK 400 N3
Diffuse sensor

- Universal mounting options
- Low installation depth
- Sensitivity is adjustable
- LED switching status display
- Plastic housing



Function										

Technical data (typ.)	+20°C, 24 V DC
Service voltage	10 ... 30 V DC
No-load current (max.)	30 mA
Thread	M18 x 1
Housing material	Plastic (ABS)
Material	<ul style="list-style-type: none"> ■ PMMA (Window) ■ PVC (Cable)
Protection class	III, operation on protective low voltage
Operating principle	Diffuse sensor
Evaluation	digital
Design	Thread
Switching output	npn, 100 mA, NO/NC
Light source	LED
Color	Infrared
Wavelength	880 nm
Modulation	Clocked
Ambient light immunity	3 kLx Clocked light, 10 kLx Sunlight
Scanning range	400 mm
Standardized measuring plate	200 x 200 mm
Sensitivity adjustment	Potentiometer



207939
OT 18 FK 400 N3
Diffuse sensor

Technical data (typ.)	+20°C, 24 V DC
Switching frequency	1.000 Hz
Activation time	0,50 ms
Release time	0,50 ms
Ambient temperature during operation	-25 ... +55 °C
Protection type	IP 67
Connection	Cable, 2,0 m
More information / accessories	https://www.di-soric.com/207939