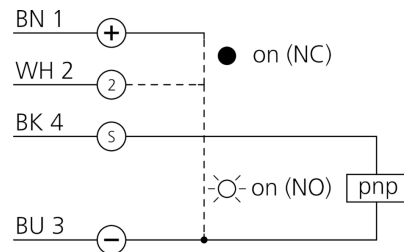
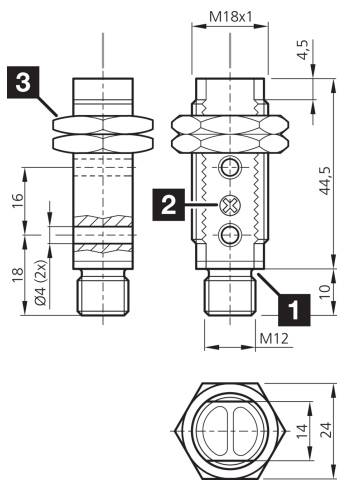




**207944**  
**OT 18 FK 400 P3-B4**  
**Diffuse sensor**

- Universal mounting options
- Low installation depth
- Sensitivity is adjustable
- LED switching status display
- Plastic housing



- 1) Potentiometer                      3) Width over flats 24 mm                      BK: black                      BN: brown                      BU: blue                      WH: white  
 2) LED

**Function**



**Technical data (typ.)**

**+20°C, 24 V DC**

|                              |  |
|------------------------------|--|
| Service voltage              | 10 ... 30 V DC                           |
| No-load current (max.)       | 30 mA                                    |
| Thread                       | M18 x 1                                  |
| Housing material             | Plastic (ABS)                            |
| Material                     | PMMA (Window)                            |
| Protection class             | III, operation on protective low voltage |
| Operating principle          | Diffuse sensor                           |
| Evaluation                   | digital                                  |
| Design                       | Thread                                   |
| Switching output             | pnp, 100 mA, NO/NC                       |
| Light source                 | LED                                      |
| Color                        | Infrared                                 |
| Wavelength                   | 880 nm                                   |
| Modulation                   | Clocked                                  |
| Ambient light immunity       | 3 kLx Clocked light, 10 kLx Sunlight     |
| Scanning range               | 400 mm                                   |
| Standardized measuring plate | 200 x 200 mm                             |
| Sensitivity adjustment       | Potentiometer                            |
| Switching frequency          | 1.000 Hz                                 |



**207944**  
**OT 18 FK 400 P3-B4**  
**Diffuse sensor**

|                                       |  |
|---------------------------------------|--|
| <b>Technical data (typ.)</b>          | <b>+20°C, 24 V DC</b>  |
| Activation time                       | 0,50 ms  |
| Release time                          | 0,50 ms  |
| Ambient temperature during operation  | -25 ... +55 °C   |
| Protection type                       | IP 67  |
| Connection                            | Connector, M12, 4-pin  |
| <b>More information / accessories</b> | <b><a href="https://www.di-soric.com/207944">https://www.di-soric.com/207944</a></b> |