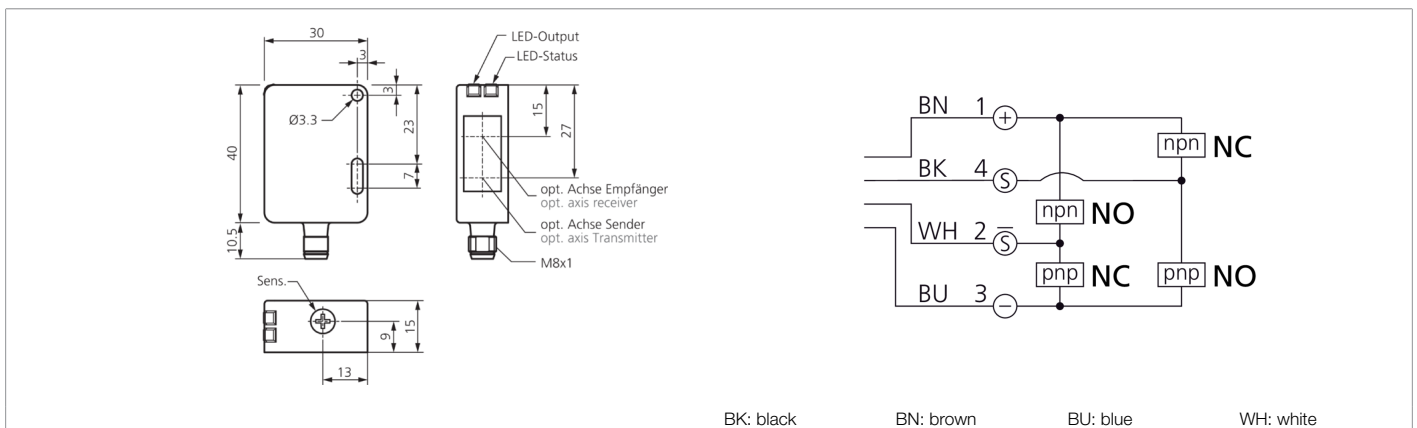


209571

LH 41 M 350 G4L-T4

Laser diffuse sensor with background suppression

- Vibration-safe 10-turn adjustment for finest adjustment
- Red-light laser, with small laser spot
- Optical background suppression
- Push-pull pnp + npn
- High resolution, switching accuracy, switching frequency
- Functional reserve indicator
- Robust metal housing
- Universal mounting



Function											

Technical data (typ.)	+20°C, 24 V DC
Service voltage	10 ... 30 V DC
No-load current (max.)	25 mA
Insulation voltage endurance	500 V
Housing dimensions	40 x 30 x 15 mm
Housing material	Die-cast zinc (Black, painted)
Material	Polycarbonate (Window)
Weight	48 g
Protection class	III, operation on protective low voltage
Operating principle	Diffuse sensor with background suppression
Evaluation	digital
Design	Cuboid design
Switching output	Push-pull, antivalent, NO/NC
Voltage drop (max.)	2,0 V
Light source	Laser
Laser class	1 (IEC 60825-1)
Color	red
Wavelength	650 nm
Modulation	Clocked
Background suppression	Yes
Light spot size	Ø 2 mm
Ambient light immunity	20 kLx
Switching distance	350 to 600 mm as diffuse sensor
Scanning range	30 ... 350 mm

 209571

LH 41 M 350 G4L-T4

Laser diffuse sensor with background suppression

Technical data (typ.)	+20°C, 24 V DC
Switching hysteresis (max.)	1,5 %
Sensitivity adjustment	Potentiometer (10-turn)
Display	LED Green - Operation, yellow - Switching output Green - Low functional reserve (flashing)
Switching frequency	1.000 Hz
Shock/vibration load	10 ... 55 Hz / 0,5 mm / 30 g
Ambient temperature during operation	-10 ... +50 °C
Protection type	IP 67
Connection	Connector, M8, 4-pin
Connection cable	TK ... /4
More information / accessories	<a href="https://www.di-soric.com/209571">https://www.di-soric.com/209571</a>