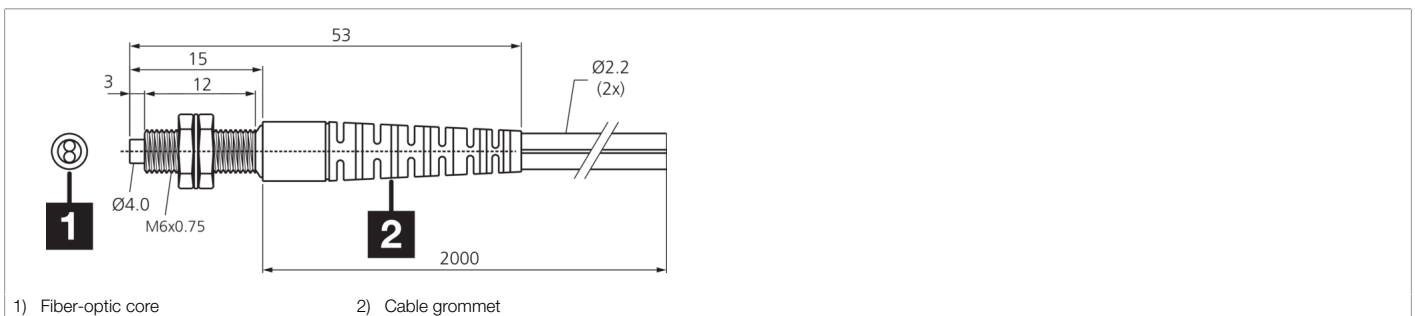








209936
KLT-M6-T2-1
Plastic fiber optics

- Large range
- Cutting knife included



Function												
												

Technical data (typ.)		+20°C, 24 V DC
Length		2.000 mm (Can be shortened)
Thread		M6 x 0,75
Light aperture		axial
Bending radius		> 25 mm
Fiber		Parallel, Ø 1,0 mm (2x)
Material		<ul style="list-style-type: none"> ■ Stainless steel (Sensor probe) ■ PE (Coating)
Operating principle		Diffuse sensor
Design		Thread
Characteristics		With cable protection bushing
to be used for		Device series OLV-K Amplifier
Range		200 mm
Resolution		Ø 0,1 mm
Temperature resistance		-55 ... +70 °C

More information / accessories	https://www.di-soric.com/209936
--------------------------------	---