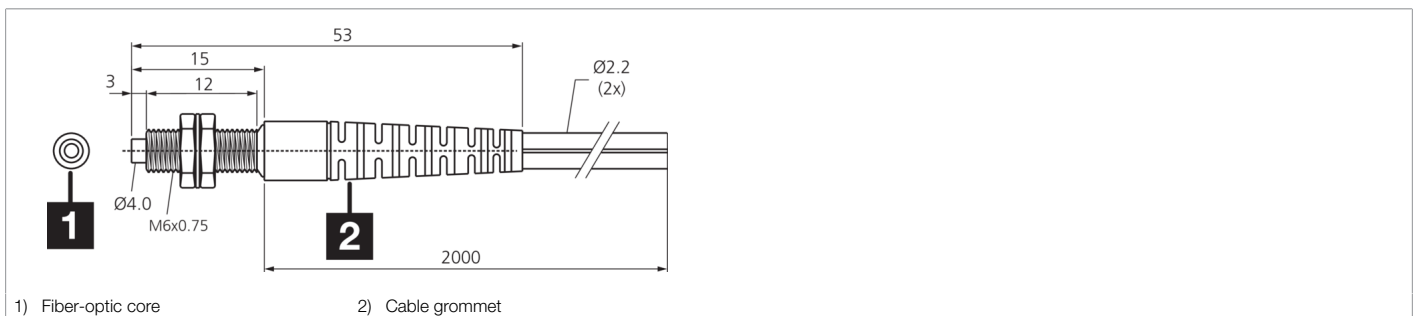







209947
KLE-M6-T2-1
Plastic fiber optics

- Large range
- Cutting knife included



Function												
												

Technical data (typ.)	+20°C, 24 V DC
Length	2.000 mm (Can be shortened)
Thread	M6 x 0,75
Light aperture	axial
Bending radius	> 25 mm
Fiber	Ø 1,0 mm
Material	<ul style="list-style-type: none"> ■ Stainless steel (Sensor probe) ■ PE (Coating)
Operating principle	Through-beam sensor
Design	Thread
Characteristics	With cable protection bushing
to be used for	Device series OLV-K Amplifier
Range	1.000 mm
Resolution	Ø 0,2 mm
Temperature resistance	-25 ... +70 °C

More information / accessories <https://www.di-soric.com/209947>