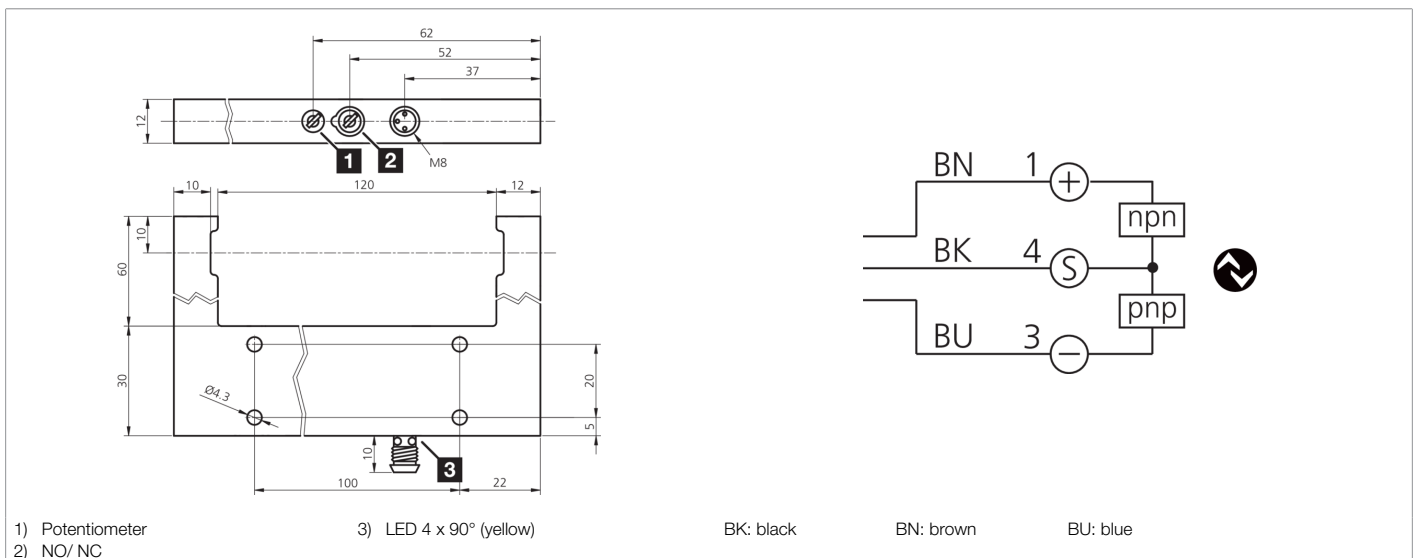


210250
OGU 120 G3-T3
Fork light barrier

- 4 operating modes as an IO-Link parameter
- Switch-on/off delay as an IO-Link parameter
- Diagnostics with IO-Link
- Metal casing
- Sensitivity is adjustable
- High switching frequency
- Light/dark switching
- Bright ring LED
- High protection type
- 5-year warranty



| Function | | | | | | | | | | | |
|----------|--|--|--|--|--|--|--|--|--|--|--|
| | | | | | | | | | | | |

| Technical data (typ.) | +20°C, 24 V DC |
|------------------------------|-----------------------------------------------------|
| Service voltage | 10 ... 30 V DC |
| No-load current (max.) | 30 mA |
| Insulation voltage endurance | 500 V |
| Leg length internal | 60 mm |
| Housing dimensions | 144 x 90 x 12 mm |
| Housing material | Die-cast zinc (Black, powder-coated) |
| Protection class | III, operation on protective low voltage |
| Operating principle | Optical |
| Evaluation | digital |
| Design | Fork |
| Operation modes | Standard, High resolution, Power, Speed |
| Switching output | Push-pull, 100 mA, NO/NC, switchable |
| Interface | IO-Link (V1.1, COM2 38.4 kBd, Smart Sensor Profile) |
| Light source | LED |
| Color | Infrared |
| Modulation | Clocked |
| Fork opening | 120 mm |
| Resolution | Ø 0,5 mm, Ø 0,3 mm, Ø 1,5 mm, Ø 0,5 mm |
| Reproducibility | 0,06 mm, 0,02 mm, 0,02 mm, 0,02 mm |



210250
OGU 120 G3-T3
Fork light barrier

| | |
|---------------------------------------|--------------------------------------------------------------------------------------|
| Technical data (typ.) | +20°C, 24 V DC |
| Sensitivity adjustment | Potentiometer or IO-Link |
| Switching frequency | 5.000 Hz / 1.500 Hz / 250 Hz / 8.000 Hz |
| Ambient temperature during operation | -25 ... +60 °C |
| Protection type | IP 67 |
| Connection | Connector, M8, 3-pin |
| Connection cable | TK ... |
| More information / accessories | https://www.di-soric.com/210250 |