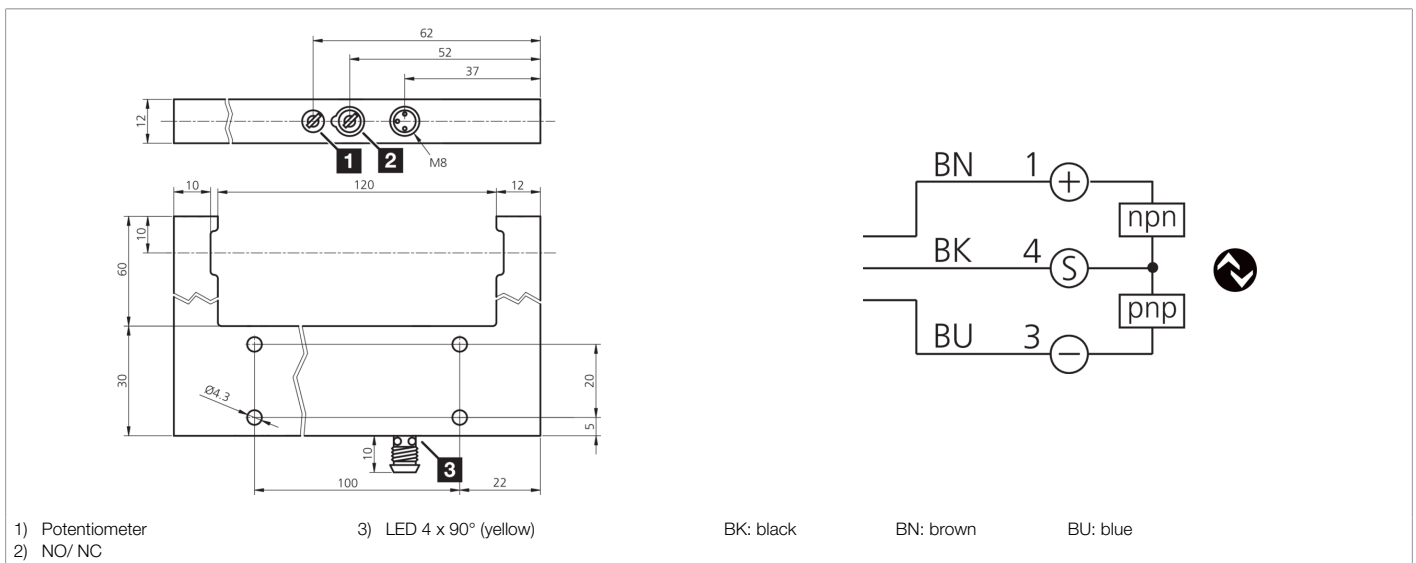




210893
OGU 121 G3-T3/V4A
Fork light barrier

-
- 4 operating modes as an IO-Link parameter
- Switch-on/off delay as an IO-Link parameter
- Diagnostics with IO-Link
- Sensitivity is adjustable
- High switching frequency
- Light/dark switching
- Bright ring LED
- High protection type
- 5-year warranty



Function										

Technical data (typ.)	+20°C, 24 V DC
Service voltage	10 ... 30 V DC
No-load current (max.)	30 mA
Insulation voltage endurance	500 V
Leg length internal	60 mm
Housing dimensions	144 x 90 x 12 mm
Housing material	Stainless steel (V4A, 1.4404 / AISI 316L - 1.4571 / AISI 316Ti)
Protection class	III, operation on protective low voltage
Operating principle	Optical
Evaluation	digital
Design	Fork
Operation modes	Standard, High resolution, Power, Speed
Switching output	Push-pull, 100 mA, NO/NC, switchable
Interface	IO-Link (V1.1, COM2 38.4 kBd, Smart Sensor Profile)
Light source	LED
Color	red
Modulation	Clocked
Fork opening	120 mm
Resolution	Ø 0,5 mm, Ø 0,3 mm, Ø 1,5 mm, Ø 0,5 mm
Reproducibility	0,02 mm, 0,02 mm, 0,02 mm, 0,02 mm
Sensitivity adjustment	Potentiometer or IO-Link



210893
OGU 121 G3-T3/V4A
Fork light barrier

Technical data (typ.)	+20°C, 24 V DC
Switching frequency	5.000 Hz / 1.500 Hz / 250 Hz / 8.000 Hz
Ambient temperature during operation	-25 ... +60 °C
Protection type	IP 67
Connection	Connector, M8, 3-pin
Connection cable	TK ...
More information / accessories	https://www.di-soric.com/210893