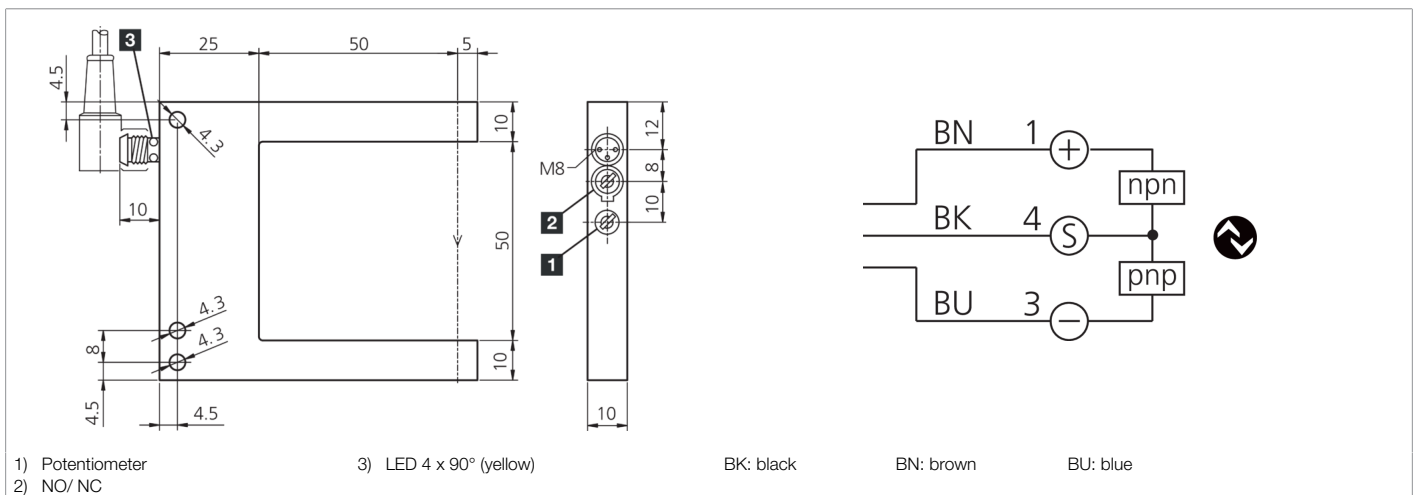




210993
OGUP 050 G3-T3
High-performance fork light barrier

- High function reserve
- Extremely dirt-resistant
- Collimator optics
- Metal casing
- Electronics integrated
- Sensitivity is adjustable
- Light/dark switching
- Bright ring LED
- High protection type
- 5-year warranty



Function										

Technical data (typ.)	+20°C, 24 V DC
Service voltage	10 ... 30 V DC (Supply Class 2)
No-load current (max.)	30 mA
Insulation voltage endurance	500 V
Leg length internal	55 mm
Housing dimensions	70 x 80 x 10 mm
Housing material	Die-cast zinc (Black, powder-coated)
Protection class	III, operation on protective low voltage
Operating principle	Optical
Evaluation	digital
Design	Fork
Characteristics	High transmit power and dirt penetration
Switching output	Push-pull, 100 mA, NO/NC, switchable
Voltage drop (max.)	1,0 V
Interface	IO-Link
Light source	LED
Color	Infrared
Wavelength	860 nm
Modulation	Clocked
Fork opening	50 mm
Resolution	Ø 0,3 mm, Ø 0,2 mm, Ø 2,0 mm, Ø 0,3 mm
Reproducibility	0,02 mm, 0,02 mm, 0,03 mm, 0,02 mm



210993

OGUP 050 G3-T3

High-performance fork light barrier

Technical data (typ.)

+20°C, 24 V DC

Sensitivity adjustment

Potentiometer or IO-Link

Switching frequency

200 Hz / 1.500 Hz / 200 Hz / 8.000 Hz

Ambient temperature during operation

-25 ... +60 °C

Connection

Connector, M8, 3-pin

Connection cable

TK ...

More information / accessories

<https://www.di-soric.com/210993>