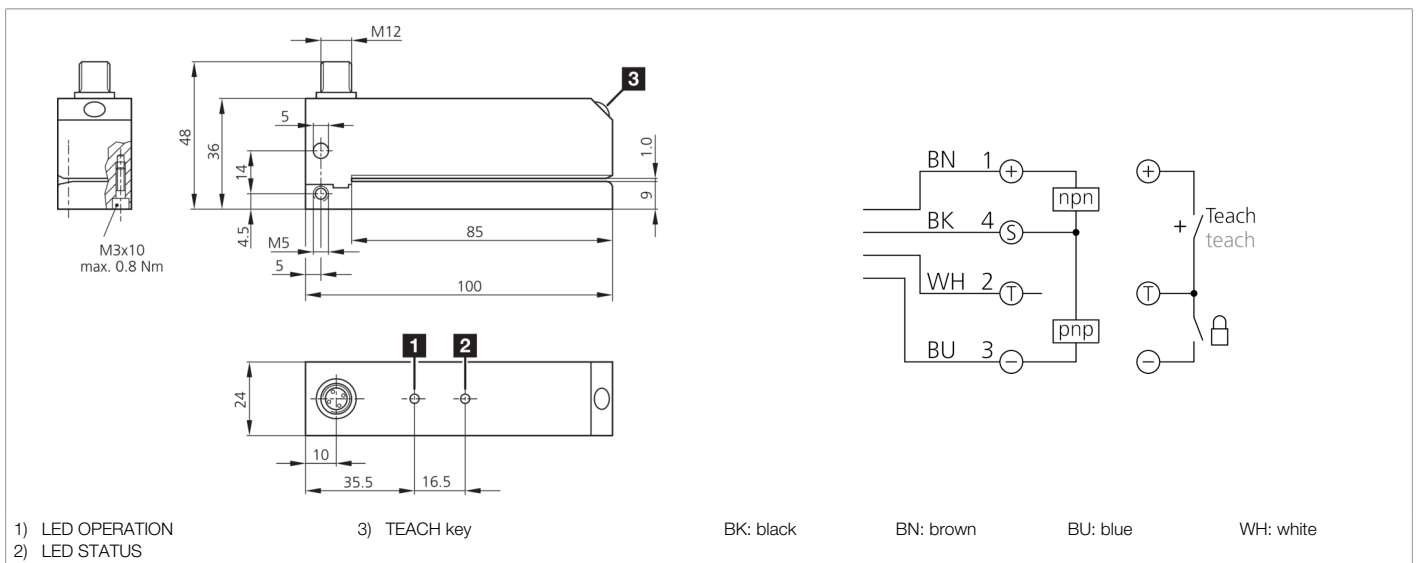




203425
KSSTI 1000/80 FG3LK-IBS
Capacitive label sensor

- Detection of transparent and paper labels
- Large slot depth for wide labels
- Sensitivity adjustment via teach key
- Auto-teach during a running process
- Remote teach option with key-lock function
- Temperature and air humidity compensation
- Static functional principle
- Separated housing



Function											

Technical data (typ.)	+20°C, 24 V DC
Service voltage	10 ... 35 V DC
No-load current (max.)	70 mA
Insulation voltage endurance	500 V
Leg length internal	85 mm
Housing dimensions	24 x 36 x 100 mm
Housing material	Aluminum (Black, Anodized)
Protection class	III, operation on protective low voltage
Operating principle	Capacitive
Switching output	Push-pull, 200 mA, NO/NC, switchable
Voltage drop (max.)	2,5 V
Fork opening	1 mm
Switching hysteresis (max.)	material-dependent
Label length	> 2 mm
Label interspace	> 2 mm
Label thickness	< 0,9 mm
Sensitivity adjustment	Teach button, Remote teach
Ambient temperature during operation	0 ... +60 °C
Protection type	IP 65
Connection	Connector, M12, 4-pin
Connection cable	VK ...



203425

KSSTI 1000/80 FG3LK-IBS

Capacitive label sensor

[More information / accessories](#)

<https://www.di-soric.com/203425>