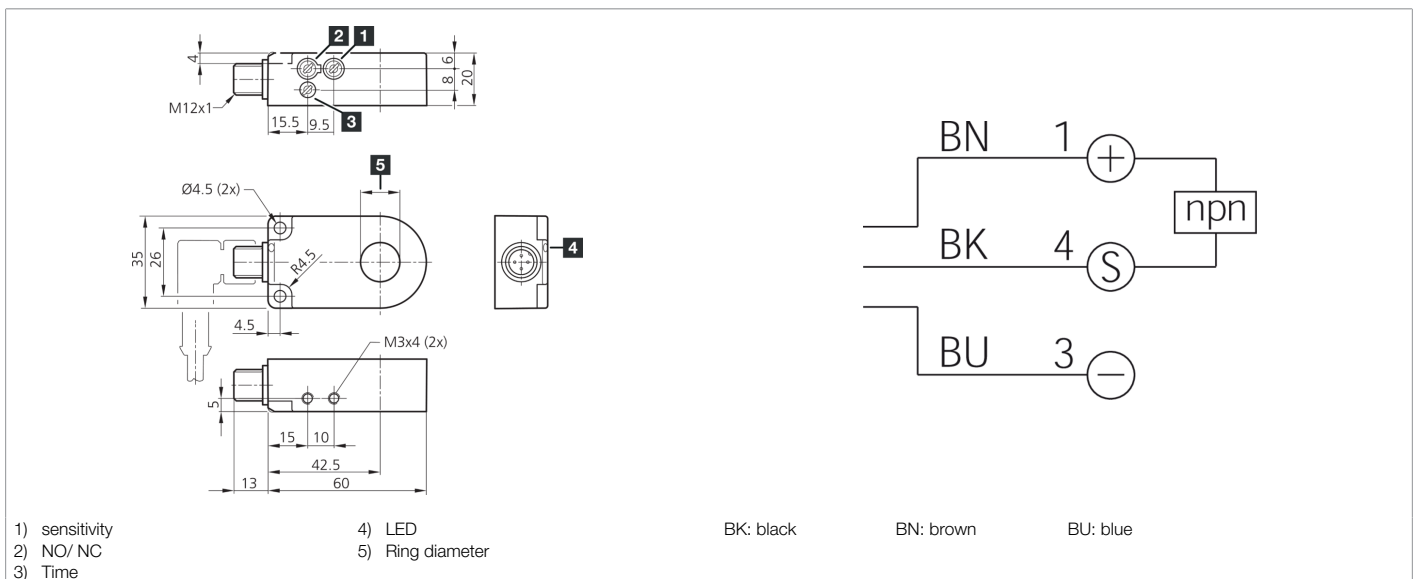




204227
IR 20 NSOK-IBS
Inductive ring sensor

- High resolution
- Short activation time
- Sensitivity and pulse stretching adjustable
- Resistant to dirt
- Static operating principle
- Metal connector
- High protection type



Function										

Technical data (typ.)	+20°C, 24 V DC
Service voltage	10 ... 35 V DC (Supply Class 2)
No-load current (max.)	11 mA
Insulation voltage endurance	1.000 V
Internal diameter	20,1 mm
Assembly distance to metal (min.)	10 mm
Housing material	Plastic (PA)
Material	POM (Ring)
Protection class	III, operation on protective low voltage
Operating principle	Static
Switching output	npn, 200 mA, NO/NC, switchable
Voltage drop (max.)	2,0 V
Pulse stretching	10 ... 150 ms adjustable
Resolution	Ø 2,5 mm
Sensitivity adjustment	Potentiometer
Speed of parts (max.)	35 m/s
Activation time	0,50 ms
Release time	10 ms
Ambient temperature during operation	-25 ... +70 °C
Protection type	IP 67



204227
IR 20 NSOK-IBS
Inductive ring sensor

Technical data (typ.)	+20°C, 24 V DC
Connection	Connector, M12, 4-pin
Connection cable	VK ...
More information / accessories	https://www.di-soric.com/204227