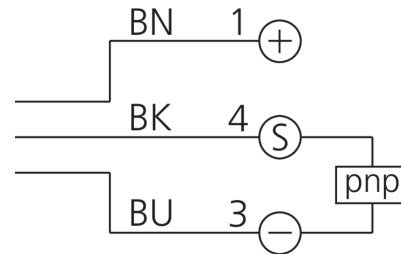
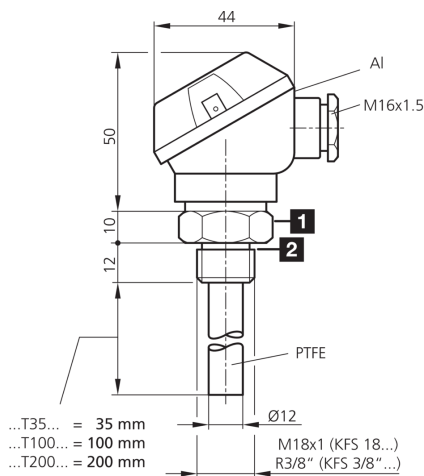




**200862**  
**KFS 18 T 35 PSLK-KL**  
**Capacitive fill level sensor**

- Level monitoring for conductive, non-conductive and viscous media
- Teflon probe rod
- High temperature range
- High protection type



1) Width over flats 27 mm      2) O-ring, not included in delivery      BK: black      BN: brown      BU: blue

**Function**



**Technical data (typ.)**

**+20°C, 24 V DC**

Current-carrying capacity	100 mA
Service voltage	10 ... 35 V DC
No-load current (max.)	10 mA
Insulation voltage endurance	500 V
Teflon probe lengths	35 mm
Thread	M18 x 1
Housing material	Stainless steel (V4A , 1.4404 / AISI 316L, medium-touching)
Material	PTFE Teflon (Probe rod)
Protection class	III, operation on protective low voltage
Switching output	pnp, 100 mA, NO
Voltage drop (max.)	2,0 V
Switching hysteresis (max.)	material-dependent
Switching frequency	< 5,0 Hz
Ambient temperature during operation	-30 ... +100 °C
Temperature resistance	+125 °C (Medium temperature)
Protection type	IP 67 (Clamping area) / IP 68 (Probe)
Pressure resistant	10 bar
Connection	Clamps

**More information / accessories**

<https://www.di-soric.com/200862>